

Digital Gateway



Bridge Legacy with Next-Gen

The Edge Access Digital Gateway bridges data and voice networks, enabling enterprise-wide customers to leverage existing infrastructure while offering unmatched toll-quality telephony over efficient, digital networks. Converging voice and data networks can produce dramatic savings by decreasing the cost of long distance, equipment acquisition and maintenance.

A small compact server, our Digital Gateway works by converting traditional circuit-switched communications into IP packets to enable internal IP networks to "talk" with the Public Switched Telephone Networks or with legacy PBXs. This bridge enables organizations to quickly connect disparate voice and data networks and economically offer VoIP.

The Edge Access Digital Gateway supports all commonly used protocols and offers scalable, flexible configuration for phone, fax and data. It can be managed remotely via a user-friendly web browser or via Telnet. In a managed IP network environments, the Digital Gateway provides all this at one-tenth the bandwidth required by traditional circuit-switched TDM equipment, increasing overall network efficiency.

ADVANTAGES

Superior Voice Quality

Provides toll-quality phone calls by using several patented technologies that compensate for delay jitter and packet loss on a public or private IP backbone. In a managed IP network, our VoIP solution provides toll-quality phone calls at 1/10 the bandwidth of traditional circuit-switched TDM equipment.

Easily Managed and Administered

Equipped with two types of administration and provisioning interfaces, a WEB browser and a Telnet session, the Gateway can be administered, managed and controlled remotely.

Adaptable to Your Needs

Scalable

The Digital Gateway is a stackable unit that can be viewed as a single node to provide support for up to thousands of ports.

Flexible Port configuration, functionality and connectivity

The Digital Gateway supports from 2-to-6 T1 trunks providing from 48-to-144 ports OR from 2-to-6 E1 trunks giving from 60-to-180 ports in a single chassis. The Gateway also provides Ethernet connectivity to a LAN.

All ports handle voice transmission, fax, modem, and data seamlessly to the user. Each port is independent and configurable. All ports can be individually programmed to a specific dialing plan with IVR capability or setup in a transparent mode for direct connectivity to a remote Gateway.

Protocol Support

The Digital Gateway is flexibly configured to support the most commonly used protocol standards (e.g., SIP, H.323 and SS7/C7).

Inband Signaling

- E+M Wink
- E+M Immediate
- Loop/Ground Start
- FGD
- PRI
- ISDN
- NI1 & 2

Outband Signaling

- SS7/C7
- CAS/R2

Framing

- G.703, G.704, ESF, D4

Line Codes

- B8ZS, HDB3, AMI

Timing Source

- Internal or line

Voice Quality

- Provides toll quality calls through a combination of DSP and host-based voice processing
- DTMF generation/detection meets Bellcore TR-TSY-00673 and TIA 464B standards
- Echo cancellation algorithm G.168/G.165 supported
- Integrated non-blocking switch
- Voice Activity Detector
- Comfort Noise Generator
- Gain Control

Interfaces

- Supports from 2 T1 or 2 E1 trunks configuration up to 6 T1 or 6 E1 trunks configuration
- Meets LSSGR and CCITT Requirements for Telephone Interface
- 10/100 Base T Ethernet

Compression Methods

- G.729 CS - ACELP codec @ 8 kbps
- G.723.1 MP-MLQ codec @ either 5.3 or 6.3 kbps
- G.726 / G.727 ADPCM and E-ADPCM codecs @ 32 kbps
- G.711 PCM @ 64 kbps

Protocol Support

- H.323
- SIP

Configuration Management

- Equipped with remote provisioning tools accessible through a WEB interface or a Telnet session

Regulatory Compliance

- AT&T Pub. 62411, 54016
- FCC Part 15 and 68s
- ANSI T1.102 and T1.107
- UL 1459
- Bellcore DTMF tr-tsy-00673
- 802.3/802.3U

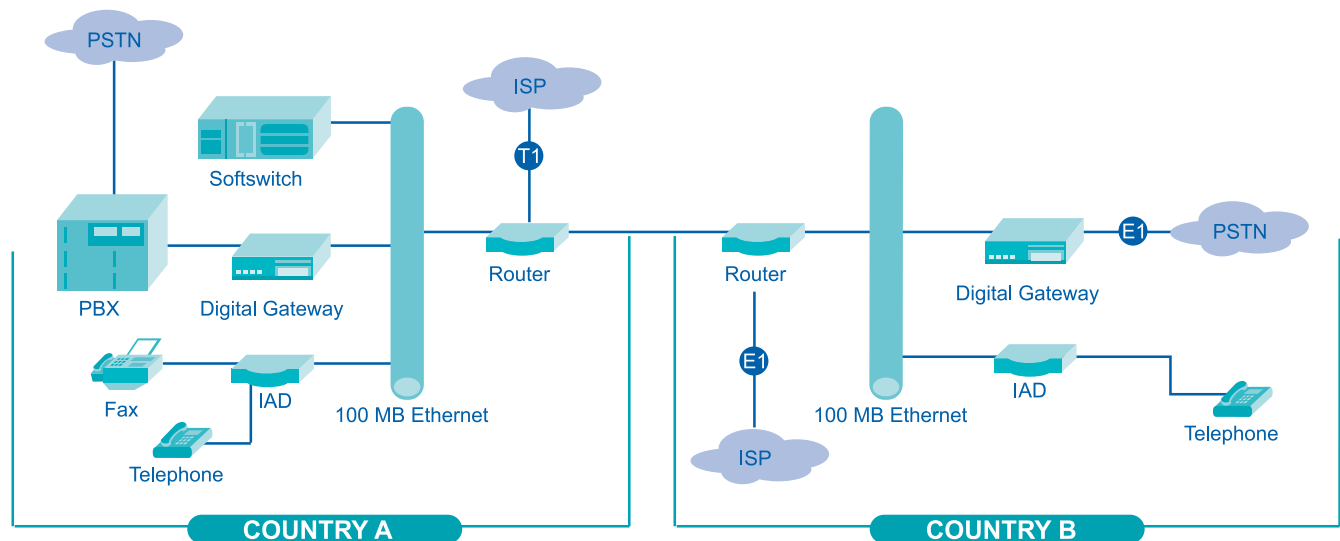
Physical & Environmental

- Operating temperature: 0 to 55 degrees C
- Humidity: 80% non-condensing maximum
- Dimensions: 12"x14"x1.75"
- Power: 100-240VAC (Auto Switching, 50/60 HZ, 60 Watts)

Other

- TIA 464A DTMF detection and generation
- Alarms: Red, Yellow, BPV, Ft error and CRC
- CDR Capable
- Supports local routing tables for stand alone operation

Digital Gateway Deployment



About Edge Access

As a technology developer and integrator, Edge Access continues to pioneer advanced VoIP (Voice over Internet Protocol) and data solutions for industry and government. Designed for universal adaptability, Edge Access solutions offer functionality that amplifies performance of virtually any network infrastructure. The company's premier "future-proof" VoiceWise UAD series, gateway and softswitch provide converged voice and data communications with unrivaled security, voice quality and dependability.